

SPECIFICATIONS:

POWER RATING:

2 WATTS MAX. @ 40°C.

2.4 WATTS MAX. @ 25°C.

CONNECTOR: N-TYPE MALE

FREQUENCY RANGE & VSWR:

DC TO 1 GHz AT 1.10:1 MAX.

1 GHz TO 6 GHz AT 1.25:1 MAX.

IMPEDANCE: 50 OHMS NOMINAL

AMBIENT TEMPERATURE: RANGE: -40°C TO +40°C

OPERATING POSITION: ANY

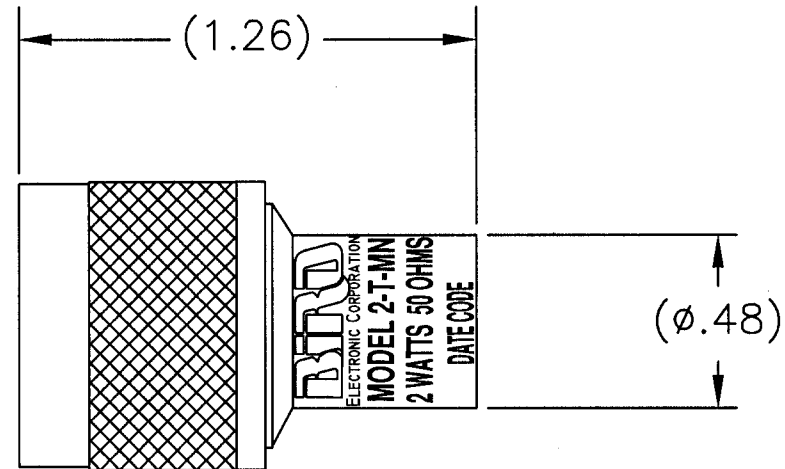
COOLANT: DRY (CONVECTION COOLED)

FINISH: SILVER OR TRI-ALLOY PLATED

NOMINAL SIZE: APPROX. 1.26" L X .48" DIA.

WEIGHT: APPROX. 1.4 oz. (38 g)

REVISIONS		DWG. NO.	2-T-MN	SHEET	REV
ZONE	REV	DESCRIPTION	DATE	1	B
	A	ECN #0049	3-27-96		MAV
	B	ECN #0263	10-31-00		MAV



UNLESS OTHERWISE SPECIFIED  
DIMENSIONS ARE IN INCHES  
TOLERANCES ARE:

FRACTIONS	DECIMALS	ANGLES
± 1/64	.XX = ± .010 .XXX = ± .005	± 30'

DO NOT SCALE DRAWING

MILLIMETERS

.X = ± .4  
.XX = ± .12

THIS DRAWING IS THE PROPERTY OF THE BIRD ELECTRONIC CORPORATION. THE DESIGNS AND SPECIFICATIONS DISCLOSED HEREON ARE PROPRIETARY AND SHALL NOT BE REPRODUCED, NOR COPIED, NOR USED AS THE BASIS FOR THE MANUFACTURE OR SALE OF APPARATUS OR DEVICES WITHOUT THEIR EXPRESS WRITTEN CONSENT.



**BIRD**

Electronic Corporation  
Cleveland (Solon) Ohio USA

MATERIAL	APPROVALS		DATE	TITLE			
		DRAWN	D.M.RINK	11-8-02	F/ASSY, TERMINATION, N-TYPE MALE, 2W		
FINISH	CHECKED			SIZE	FSCM NO.	DWG. NO.	REV
	APPROVED	MAV	1-10-03	A	70998	2-T-MN	B
			AUTOCAD	SCALE	COMM CODE	SHEET	
				2:1	LD1	1 OF 1	